

## Installation Instructions

### INSTRUCTIONS PERTAINING TO A RISK OF FIRE, OR INJURY TO PERSONS.

#### IMPORTANT SAFETY INSTRUCTIONS. SAVE THESE INSTRUCTIONS.

(Failure to follow the warnings and instructions on this sheet could result in fire, injury, failure of product, and/or voiding of warranty.)

1. Do not touch luminaire while lamp is on. Turn off/unplug and allow to cool before replacing lamp.
2. Lamp gets HOT quickly! Contact only switch/plug when turning on.
3. Do not touch hot lens, body, cap or knuckle.
4. Keep lamp away from materials that may burn.
5. Do not touch lamp at any time. Use a soft cloth. Oil from your skin may damage lamp.
6. Do not operate with damaged or missing parts.
7. Do not disassemble beyond cap removal to facilitate lamp and/or accessory installation or replacement.
8. Remove any debris accumulated in the cap periodically.
9. Do not install within 10 feet of a pool, spa, or fountain.
10. This is a line voltage fixture, use properly rated cable. Consult a qualified electrician to ensure correct branch circuit conductor.
11. Have installed in accordance with all applicable installation codes and standards by a person familiar with the construction, operation, and hazards involved.

#### Installation:

##### Notes:

- This fixture should not be mounted in such a way that it is buried or in direct contact with the ground or soil.
- Integral Driver LED models come with push button manual selection of 4 different outputs. See 'Changing Integral Driver LED Output Level' instructions on next page. Output will be set at factory to highest setting, unless otherwise specified when ordered.
- Integral Driver LED models also allow for 100-277V 0-10V dimming (at three highest push button light level settings only) and 120V phase dimming (at highest push button light level setting only). Integral Driver LED models should only be used with compatible dimming systems. Contact Vision3 Lighting for further information.
- Integral Driver COB LED models allow for 120-277V 0-10V dimming and 120V phase dimming. Contact Vision3 Lighting for further information.
- COB LED's must be powered by a Vision3 Lighting approved LED driver with the proper rating. Check specification sheet and fixture label for proper ratings.
- All ratings subject to change without notice. See website or contact V3 for most current info.

**Caution!** Fixture will be hot when on. Remove power and allow fixture to cool before performing any adjustments or maintenance.

1. Unpack the PA12 Staff Light from its shipping container.
2. Check that there are no damaged or missing components. Contact Vision3 immediately if there are any damaged or missing components.
3. The PA12 Staff Light can be ordered with various mount options. See mount option installation instructions for further installation procedures.  
**Note:** If fixture is installed improperly, or in loose soil, it is possible for it to topple over under its own weight (depending on mount option and stem length). To prevent this, concrete anchoring of some kind is recommended in all installations.
4. Connect the fixtures power leads to the power supply wires using appropriate connectors (not supplied) per applicable codes. Note: Be sure power/ampage being supplied matches requirements on Label.
  - a. Halogen/Integral Driver LED/Integral Driver COB LED: black, white, green connect to hot (typically black), neutral (typically white), ground (typically green or bare copper), respectively.
  - b. COB LED: red and black connect to positive(+) lead (typically red) and negative(-) lead (typically black) from Vision3 Lighting approved LED driver, respectively.
5. For Integral Driver LED/Integral Driver COB LED models: Connect the fixtures dimming leads to the dimming control wires using appropriate connectors (not supplied) per applicable codes. The 0-10V(-) control wire (typically gray or pink) should attach to the fixtures pink (possibly white) dimming lead, and the 0-10V(+) control wire (typically purple) should attach to the fixtures purple (possibly blue) dimming lead. If 0-10V dimming is not being used, each of the fixtures dimming leads should be cut and capped separately (connectors not supplied). Note: capping the dimming leads together

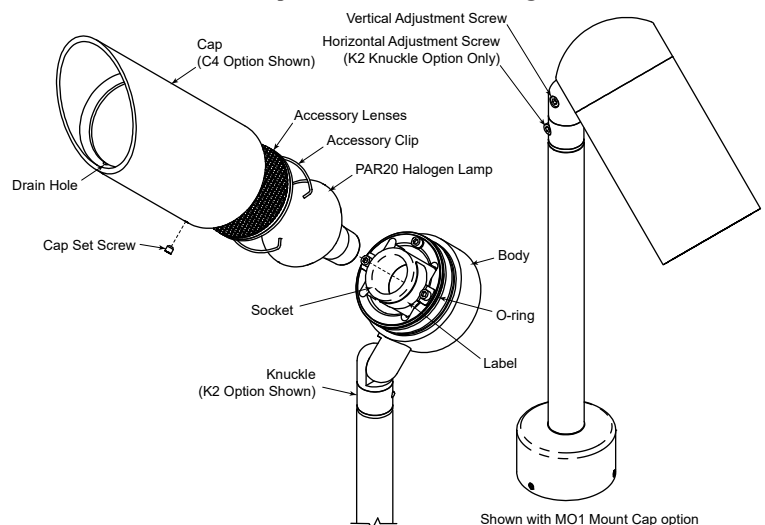
or allowing them to touch ground may prevent the LED from operating normally. Make sure they are capped separately if not being used.

#### Fixture Aiming:

1. Loosen the Vertical Adjustment Screw using a 5/32" hex tool – do not remove screw!
2. Grab fixture Body and push/pull to break grip of tapered knuckle lock. Be sure to hold stem while doing this so you don't stress, bend, or break it.
3. Slightly tighten Vertical Adjustment Screw, using the 5/32" hex tool, so that fixture holds position when released, but still moves when adjusted.
4. Slightly loosen the Horizontal Adjustment Screw (Available on K2 knuckle option only), using the 5/32" hex tool - do not remove screw!
5. Slightly tighten the Horizontal Adjustment Screw (Available on K2 knuckle option only) so that the fixture can be rotated, but still holds position.
6. Adjust fixture to the desired angle. Do not force the fixture past the natural stops built into the knuckle. Note: Rotate fixture fully in opposite direction if a stop is hit before reaching the desired position.
7. Tighten the adjustment screws using the 5/32" hex tool. Do not over tighten! Tapered knuckle lock requires very little tightening to ensure fixture is locked in position.
8. Adjust cap so that Drain Hole, if any, is oriented at the lowest point to allow drainage.

#### PAR20 Halogen Lamp Maintenance (for certain models):

1. Remove power from fixture and let cool before touching. **Caution! Luminaire may still be hot!**
2. Loosen the Cap Set Screw using a 3/32" hex tool – do not remove screw!
3. Remove the Cap. Twisting the Cap while removing reduces the risk of damaging the O-ring.
4. Unscrew lamp from Socket and remove. **Caution! Lamp may still be hot! Be sure lamp has cooled before touching.**



## Installation Instructions

### INSTRUCTIONS PERTAINING TO A RISK OF FIRE, OR INJURY TO PERSONS.

### IMPORTANT SAFETY INSTRUCTIONS. SAVE THESE INSTRUCTIONS.

(Failure to follow the warnings and instructions on this sheet could result in fire, injury, failure of product, and/or voiding of warranty.)

- Clean inside of fixture and cap with a clean dry cloth.
- Inspect Socket for any damage.
- Inspect O-ring for damage or dirt. Replace or clean if necessary.
- Using a soft, clean cloth to hold new Lamp, screw Lamp into Socket.  
 Note: Replacement lamp must not exceed ratings of the luminaire. Read the Label for appropriate lamp type and ratings.
- Install Cap by pushing and twisting slowly. If O-ring is excessively dry, use a small amount of Krytox lubricant
- Tighten Cap Set Screw with the 3/32" hex tool so that is just bottoms out. Do not over tighten the Cap Set Screw! This may cause the fixture to not seal properly.

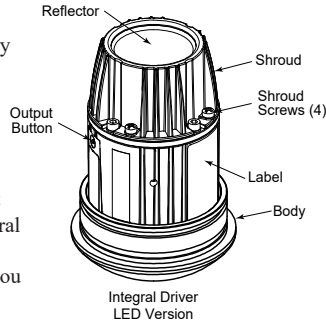
LED is in adjustment mode.

- When the desired power mode is found, stop pushing the Output Button. When the Output Button is not pushed for about 4 seconds while in adjustment mode, the LED will blink twice, indicating that the LED is back in normal mode.
- To continue adjusting the output mode, go back to step 4 and repeat the process.
- Install cap as explained in PAR20 Halogen Lamp Maintenance steps 9 & 10 above.

#### Integral Driver LED Module Maintenance (for certain models):

##### Integral Driver LED Module Replacement:

While the Integral Driver LED module can be field replaced, it requires complete dis-assembly of the fixture and should only be done for end of life replacement (for changing beam pattern, see 'Changing Integral Driver LED Optics' heading below). Vision3 recommends returning the fixture to the factory for Integral Driver LED module replacement. Contact Vision3 Lighting for instructions on Integral Driver LED module replacement, or to arrange for it to be done at the factory if you are not comfortable doing it.



##### Changing Integral Driver LED Optics:

To change the beam pattern to something other than what the fixture was specified with, the reflector can be swapped out to a different pattern. These reflectors can be purchased from Vision3 Lighting. To change the reflector:

- Remove Cap as explained in PAR20 Halogen Lamp Maintenance steps 1 thru 3 above.
- Loosen and remove the four Shroud Screws.
- Remove the Shroud and the Reflector from the top of the LED module.
- Set the new Reflector and Shroud on top of the LED Module. The Reflector and Shroud are keyed so that they may only be installed in certain orientations. Make sure any pins / keys line up with their corresponding holes / depressions on the LED module. Do not force or you may damage the Reflector, Shroud, or LED module.
- Install and tighten the four Shroud Screws. Do not overtighten.
- Install Cap as explained in PAR20 Halogen Lamp Maintenance steps 9 & 10 above.

##### Changing Integral Driver LED Output Level:

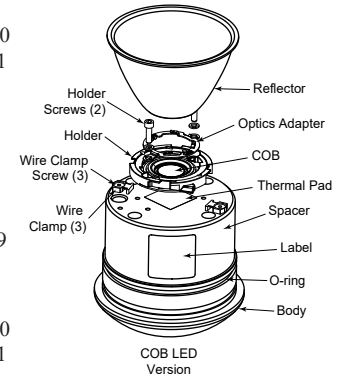
Integral Driver LED module comes with a push button that allows for selection of 4 different outputs. Output will be set at factory to highest setting, unless otherwise specified when ordered. To change the Integral Driver LED output level:

- Remove cap as explained in PAR20 Halogen Lamp Maintenance steps 1 thru 3 above.
- Inspect for damage. Replace any damaged parts, if necessary.
- Clean inside of fixture and Cap with a clean, damp cotton cloth.
- With fixture powered up, hold down the Output Button for about 4 seconds, until the LED blinks once, and release the button. The LED is now in adjustment mode. Note: if LED does not enter adjustment mode properly, or does not adjust once in adjustment mode, check to make sure the 0-10V dimming leads are not connected together or grounded.
- Immediately start pushing the Output Button to cycle thru the different power modes (one button push will advance one power mode). Note: Don't wait too long between button pushes. The LED will revert back to normal mode if the Output Button is not pushed for about 4 seconds when

#### COB LED/Integral Driver COB LED Maintenance (for certain models):

##### Changing Optics:

- Remove Cap as explained in PAR20 Halogen Lamp Maintenance steps 1 thru 3 above.
- Twist Reflector counter clock-wise to unlock and remove.
- Insert new Reflector and twist clock-wise to lock.
- Install cap as explained in PAR20 Halogen Lamp Maintenance steps 9 & 10 above.



##### Changing COB Chip:

- Remove Cap as explained in PAR20 Halogen Lamp Maintenance steps 1 thru 3 above.
- Twist Reflector counter-clockwise to unlock and remove.
- Loosen and remove the two Wire Clamps & Screws clamping the black wire.
- Loosen and remove the two Holder Screws.
- Slightly twist holder back and forth to help loosen the COB chip and then remove the Holder and Optics Adapter.
- Note the orientation of the COB. Compress the Holder clip and carefully remove the COB chip.
- Thoroughly clean the Spacer or Shroud with a lint free towel.
- Place the new COB up against the Holder clip in the same orientation as the removed COB. Ensure the polarity marks on the Holder match the marks on the COB. Slowly press on the opposite side of the COB to compress the Holder clip until the COB drops into the recess. Note: Only touch the edges of the COB as oils and dirt from your skin can damage the diodes.
- Remove clear plastic film from supplied Thermal Pad, using light pressure, apply to back of new COB chip. Make sure pad is square and fully covers the back of the COB. Remove secondary clear plastic film from the exposed side of the Thermal Pad.
- Place the Holder and Optics Adapter on the Spacer or Shroud in the same orientation it was removed.
- Install and tighten the two Holder Screws. Do not overtighten.
- Install the two Wire Clamps & Screws over the black wire. Do not overtighten.
- Insert Reflector and twist clockwise to lock.
- Install Cap as explained in PAR20 Halogen Lamp Maintenance steps 9 & 10 above.

##### Changing Driver Assembly (Integral Driver COB LED only):

- Remove Cap as explained in PAR20 Halogen Lamp Maintenance steps 1 thru 3 above.
- Loosen and remove Shroud Screws.
- Slowly pull Shroud off body and disconnect COB Quick Disconnect from Driver Output Quick Disconnect.
- Disconnect Driver Input Quick Disconnect from Body Quick Disconnect.
- Back off the Driver Assembly Screws 2 -3 turns, but don't remove screws!

## Installation Instructions

**INSTRUCTIONS PERTAINING TO A RISK OF FIRE, OR INJURY TO PERSONS.**

**IMPORTANT SAFETY INSTRUCTIONS. SAVE THESE INSTRUCTIONS.**

(Failure to follow the warnings and instructions on this sheet could result in fire, injury, failure of product, and/or voiding of warranty.)

6. Slightly tilt Driver Assembly and remove from body.
7. Install new Driver Assembly similarly to the removed Driver Assembly.
8. Make sure the Driver Assembly is butting up against the Driver Screws and then tighten Driver Screws.
9. Reconnect Driver Input Quick Disconnect to Body Quick Disconnect.
10. Reconnect COB Quick Disconnect to Driver Output Quick Disconnect.
11. Install Shroud on body and bolt in place with Shroud Screws. Do not over tighten. Ensure that no wires are being pinched.
12. Install Cap as explained in PAR20 Halogen Lamp Maintenance steps 9 & 10 above.

### Accessory Maintenance:

1. Remove cap as explained in PAR20 Halogen Lamp Maintenance steps 1 thru 3 above.
2. Remove Accessory Clip from Cap.
3. Carefully remove Accessories from Cap, if any.
4. Inspect Cap, Accessories, and Clip for damage. Replace if necessary.
5. Clean Cap and Accessories with a clean, damp cotton cloth.
6. Carefully install new Accessories into Cap.
7. Compress Clip and push into Cap until it holds Accessories tightly in Cap.
8. Install cap as explained in PAR20 Halogen Lamp Maintenance steps 9 & 10 above.

